

# FORCED AIR

Two Stage Geothermal Heat Pump



## When COMFORT Matters

Did you know geothermal heat pumps can save you up to 70% of the cost of heating and cooling your home? But you don't have to choose between savings and comfort. TTHERM GEO™ heat pumps are built in Minnesota with your family's comfort in mind. We understand what it takes to harness the earth's energy in this northern climate and use our exclusive GEO LOGIC™ controls to optimize **both comfort and savings** where you live.

The TTHERM GEO geothermal heat pumps are better by design:

- Optimized efficiency in all modes
- Ultra quiet operation
- Highest heating discharge air temperatures in the industry
- Built to outlast the competition

TTHERM GEO geothermal heat pumps are designed by a company with 30 years of experience in the geothermal industry and offer a lifetime cabinet warranty, 10 year refrigeration parts and labor warranty allowing you to enjoy many years of home comfort and confident, trouble-free operation.



[TTHERMGEO.COM](http://TTHERMGEO.COM)

email: [Sales@tthermgeo.com](mailto:Sales@tthermgeo.com)

phone: 507-463-0506

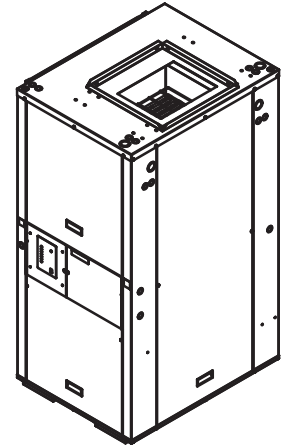
fax: 507-463-3215



# Performance & Dimensions

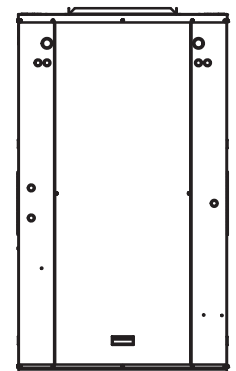
## Ground Loop Operation ARI/ISO 13256-1, 15% Antifreeze solution, capacities in BTU's/ hour

Model	CFM		Heating Capacities				Cooling Capacities			
	Heat/Cool	GPM	Stage 1 @41° F	Stage 1 COP	Stage 2 @32° F	Stage 2 COP	Stage 1 @68° F	Stage 1 EER	Stage 2 @77° F	Stage 2 EER
TVT-024	850/950	10	19,900	3.84	24,100	3.66	26,400	19.8	32,700	16.1
TVT-036	1,200/1,250	9	27,000	3.85	32,800	3.70	30,700	19.3	43,200	15.9
TVT-042	1,312/1,400	10.5	28,400	3.76	35,600	3.59	34,600	19.9	47,600	14.9
TVT-048	1,500/1,600	12	33,400	3.67	44,400	3.55	46,100	19.2	58,300	15.0
TVT-060	1,875/2,000	15	44,500	3.66	54,500	3.55	50,100	19.6	66,100	14.7

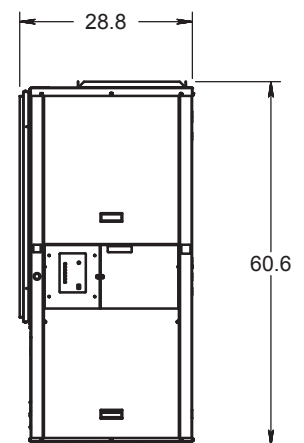
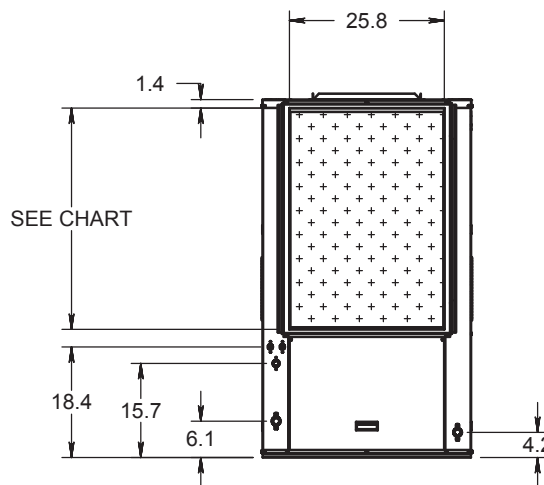
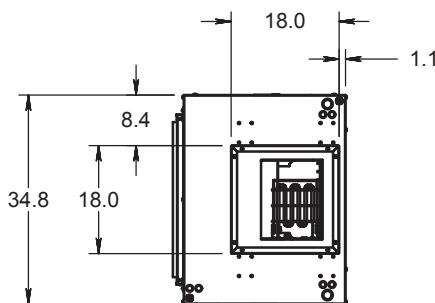


## Ground Source (Open Loop) Operation ARI/ISO 13256-1, capacities in BTU's/ hour

Model	CFM		Heating Capacities				Cooling Capacities			
	Heat/Cool	GPM	Stage 1 @50° F	Stage 1 COP	Stage 2 @50° F	Stage 2 COP	Stage 1 @59° F	Stage 1 EER	Stage 2 @59° F	Stage 2 EER
TVT-024	850/950	10	23,000	4.20	30,300	4.01	28,400	24.1	36,500	19.7
TVT-036	1,200/1,250	9	29,600	4.19	41,800	4.05	35,100	23.4	47,000	20.1
TVT-042	1,312/1,400	10.5	31,500	4.21	44,600	4.07	36,400	24.1	49,300	19.3
TVT-048	1,500/1,600	12	37,300	4.20	55,700	4.06	47,700	23.7	64,200	19.1
TVT-060	1,875/2,000	15	49,100	4.20	66,800	4.02	55,500	23.3	71,500	18.9



Model	Inlet Height
TVT-024	20 7/8
TVT-036, TVT-042	27 7/8
TVT-048, TVT-060	36 7/8



THERM GEO.COM

email: Sales@tthermgeo.com

©2012-2014 THERM GEO FA21-14

